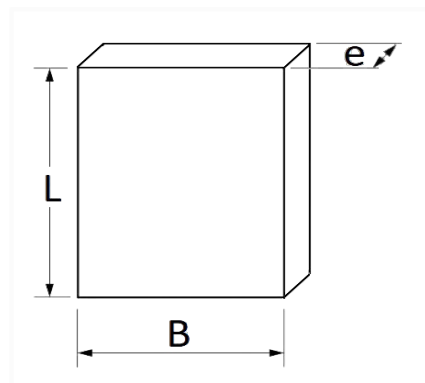


1 Allée des Bouleaux -F-95110 SANNOIS  
 +33 (0)1 39 98 55 00  
 info@restagraf.com

**THERMAL INSULATION BLANKET 200 x 200 cm WELDTEX WELDING PROTECTION**



Item code	Number of References	Number of pieces	Conditioning
5061	1	1	BAG



Technical informations	
L	2000 mm
B	2000 mm
e	1.5 mm