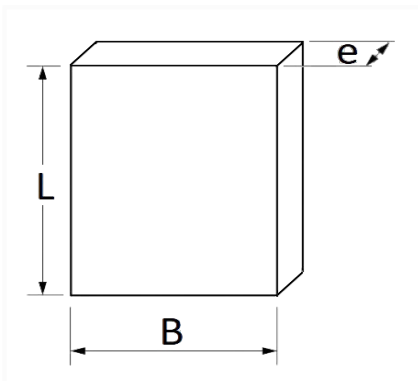


1 Allée des Bouleaux -F-95110 SANNOIS
 +33 (0)1 39 98 55 00
 info@restagraf.com

THERMAL INSULATION BLANKET 100 x 200 cm WELDTEX WELDING PROTECTION



Item code	Number of References	Number of pieces	Conditioning
5060	1	1	BAG



Technical informations	
L	2000 mm
B	1000 mm
e	1.5 mm