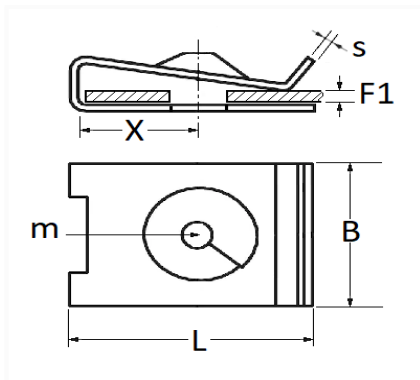


1 Allée des Bouleaux -F-95110 SANNOIS
 +33 (0)1 39 98 55 00
 info@restagraf.com

CRIMPGEWINDEKLEMME Ø 4,2 mm



| Item code | Number of References | Number of pieces | Conditioning |
|-----------|----------------------|------------------|--------------|
| 1131 | 1 | 30 | BEUTEL |



| Technical informations | |
|------------------------|---------------------|
| L | 12.3 mm |
| B | 9.5 mm |
| X | 6.5 mm |
| s | 0.6 mm |
| F1 | 0.7 → 3 mm |
| m | Vis à Tôle Ø 4.2 mm |
| | |
| | |
| | |
| | |

| Materials |
|-----------|
| |

| Manufacturer correspondence* | | | |
|------------------------------|------------|--------|------------|
| NISSAN | 0122100QAL | NISSAN | 0124100Q0D |
| | | | |

| Manufacturer correspondence* | | | |
|------------------------------|------------|---------|------------|
| RENAULT | 7703046143 | RENAULT | 8200631390 |
| VOLVO | 1060576 | VOLVO | 995728 |

* Non contractual information given as indication
