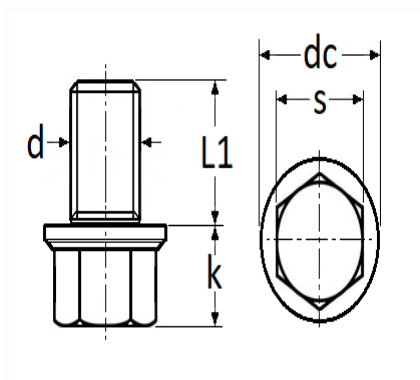


1 Allée des Bouleaux -F-95110 SANNOIS
 +33 (0)1 39 98 55 00
 info@restagraf.com

ÖLABLASSSTOPFEN MIT DICHTUNG M14-1,5 X 17 mm



Item code	Number of References	Number of pieces	Conditioning
221504	2	2	BLISTER



Technical informations	
s	17 mm
dc	23 mm
k	10 mm
L1	17 mm
d	M14 x 1.50

Materials
STAHL

Manufacturer correspondence*			
ALTERNATIVE ZU HONDA	90009PY3000	ALTERNATIVE ZU HYUNDAI	2151223000

Manufacturer correspondence*			
ALTERNATIVE ZU HYUNDAI	2151223001	ALTERNATIVE ZU HYUNDAI	215122X000
ALTERNATIVE ZU KIA	2151223000	ALTERNATIVE ZU KIA	2151223001
ALTERNATIVE ZU KIA	215122X000	ALTERNATIVE ZU MAZDA	B6S710404B
ALTERNATIVE ZU MAZDA	LF1710404	ALTERNATIVE ZU MAZDA	LFE510404
ALTERNATIVE ZU MAZDA	PE0210404	ALTERNATIVE ZU OPEL	94316800
ALTERNATIVE ZU RENAULT	7701052926	ALTERNATIVE ZU SAAB	5956222
ALTERNATIVE ZU SAAB	7563042		

* Non contractual information given as indication