

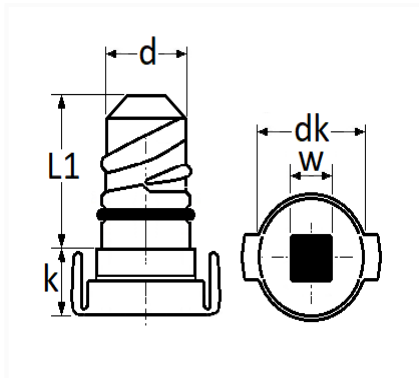


1 Allée des Bouleaux -F-95110 SANNOIS  
 +33 (0)1 39 98 55 00  
 info@restagraf.com

**KWARTDRAAIDOP OLIE-AFTAPPLUG Ø 21,3 mm MET GEMONTEERDE AFDICHTINGSRING**



Item code	Number of References	Number of pieces	Conditioning
221498	1	1	



Technical informations	
dk	29 mm
w	10 mm
k	15 mm
L1	32.5 mm
d	21.3 mm

<b>Materials</b>
POLYAMIDE 66

Manufacturer correspondence*			
FORD Finis	1830727	FORD Finis	2072363

Manufacturer correspondence\*

FORD Ontwerpnumen	CT1Q6730AA	FORD Ontwerpnumen	CT1Q6730AB
-------------------	------------	-------------------	------------

\* Non contractual information given as indication

---