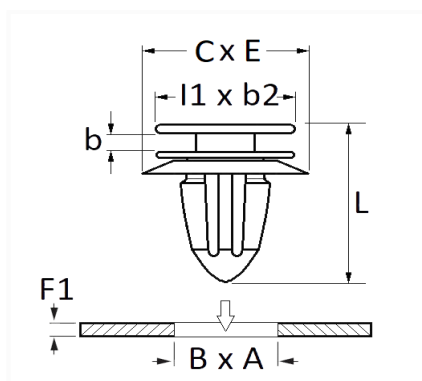


1 Allée des Bouleaux -F-95110 SANNOIS
 +33 (0)1 39 98 55 00
 info@restagraf.com

MOULDING CLIP WINDSCREEN 6,2 x 10,2 mm



Item code	Number of References	Number of pieces	Conditioning
130239	1	20	BAG



Technical informations	
l1	17 mm
b2	9 mm
C	16 mm
E	12 mm
b	1.6 mm
L	14 mm
B	6.2 mm
A	10.2 mm
F1	0.65 mm

Materials
POLYACETAL COPOLYMER

Manufacturer correspondence*			
PEUGEOT / CITROËN	9836946680	SUBSTITUTABLE FOR CITROËN	1657183080

* Non contractual information given as indication