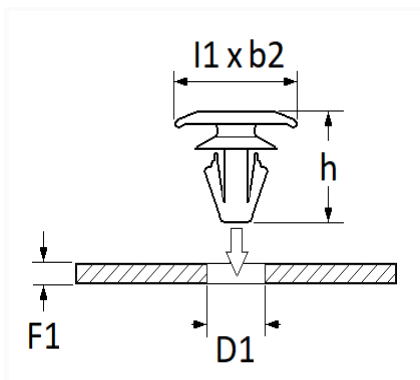


1 Allée des Bouleaux -F-95110 SANNOIS
 +33 (0)1 39 98 55 00
 info@restagraf.com

CLIP FÜR DICHTUNG Ø 5 mm HAUBENSCHUTZ



Item code	Number of References	Number of pieces	Conditioning
130224	1	20	BEUTEL



Technical informations	
l1	15 mm
b2	5 mm
h	14.2 mm
D1	5 mm
F1	2 → 2.5 mm

Materials
POLYAMID 66