

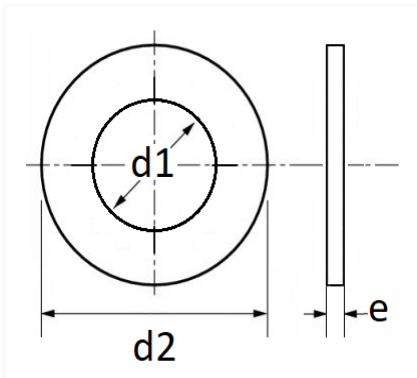


1 Allée des Bouleaux -F-95110 SANNOIS
 +33 (0)1 39 98 55 00
 info@restagraf.com

DRAIN PLUG GASKET Ø 14 X 22 X 2 mm FLAT ALUMINIUM ALLOY



Item code	Number of References	Number of pieces	Conditioning
7459	1	10	BAG
40875	1	100	BOX
227459	1	2	BLISTER



Technical informations	
d1	14 mm
d2	22 mm
e	2 mm

Materials
ALUMINUM

Manufacturer correspondence*			
ALTERNATIVE TO FIAT	6000607555	ALTERNATIVE TO MITSUBISHI	MF660035

Manufacturer correspondence*			
HONDA	90402P5TG00	HONDA	9410914000
LAND ROVER	289ALU1403L	LAND ROVER	ALU1403
LAND ROVER	ALU1403L	LAND ROVER	LYF101650L

* Non contractual information given as indication
