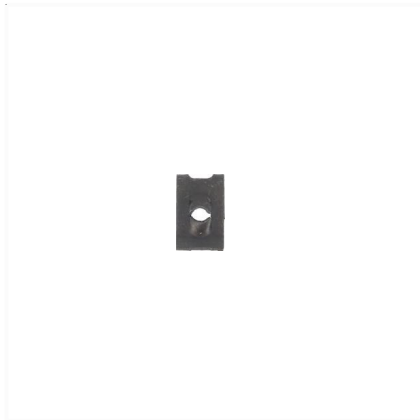
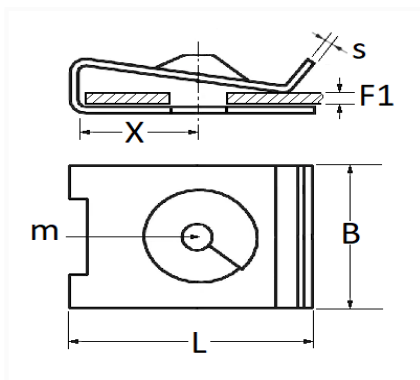


1 Allée des Bouleaux -F-95110 SANNOIS
 +33 (0)1 39 98 55 00
 info@restagraf.com

U-NUT CLIP Ø 3,5 mm



Item code	Number of References	Number of pieces	Conditioning
111	1	25	BAG



Technical informations	
L	15.5 mm
B	10 mm
X	6.8 mm
s	0.50 mm
F1	0.6 → 1 mm
m	Vis à Tôle Ø 3.5 mm

Materials
XC68 STEEL

Manufacturer correspondence*	
RENAULT	0855539300

* Non contractual information given as indication