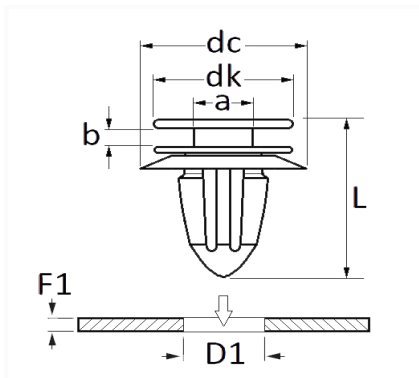


1 Allée des Bouleaux -F-95110 SANNOIS
 +33 (0)1 39 98 55 00
 info@restagraf.com

PANEELBEVESTIGINGSKLEM Ø 8 mm



Item code	Number of References	Number of pieces	Conditioning
1520	1	10	



Technical informations	
dk	14.5 mm
dc	18 mm
b	2.5 mm
a	6 mm
L	22.7 mm
D1	8 mm
F1	3 mm

Materials

POLYACETAAL COPOLYMEER

Manufacturer correspondence*

B.M.W	07147129317	FORD Ontwerpunen	W715691S300
-------	-------------	------------------	-------------

Manufacturer correspondence*			
JAGUAR	T4A28392	JAGUAR	W715691S300
LAND ROVER	LR027255	LAND ROVER	W715691S300

* Non contractual information given as indication
