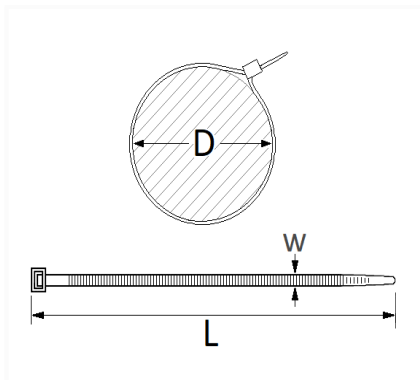


1 Allée des Bouleaux -F-95110 SANNOIS
 +33 (0)1 39 98 55 00
 info@restagraf.com

TIEWRAP 100 X 2,5 mm



Item code	Number of References	Number of pieces	Conditioning
963	1	100	
2036	1	500	



Technical informations	
L	100 mm
W	2.5 mm
D	1 → 22 mm

Materials
POLYAMIDE 6.6

Manufacturer correspondence*	
RENAULT	8200362069

* Non contractual information given as indication