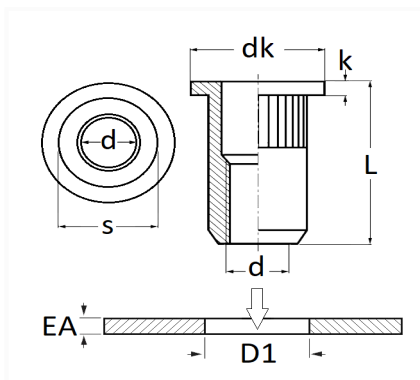


1 Allée des Bouleaux -F-95110 SANNOIS
 +33 (0)1 39 98 55 00
 info@restagraf.com

BLINDNIETMUTTER STAHL RUNDSCHAFT M6-1.00 / 0,5 → 3 mm



Item code	Number of References	Number of pieces	Conditioning
962	1	30	BEUTEL



Technical informations	
dk	13 mm
k	1.5 mm
L	16 mm
d	M6 x 1.00
s	8.9 mm
D1	9 mm
EA	0.5 → 3 mm

Materials
STAHL

Manufacturer correspondence*	
PEUGEOT / CITROËN	694115

* Non contractual information given as indication