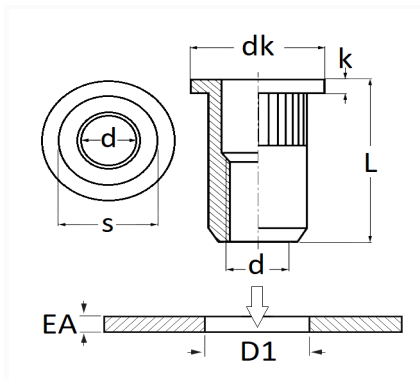


1 Allée des Bouleaux -F-95110 SANNOIS
 +33 (0)1 39 98 55 00
 info@restagraf.com

ROUND STEEL CRIMPING NUT M4-0.70 / 0,25 → 2 mm



Item code	Number of References	Number of pieces	Conditioning
960	1	50	BAG



Technical informations	
dk	9 mm
k	1 mm
L	10.5 mm
d	M4 x 0.70
s	5.9 mm
D1	6 mm
EA	1 → 2 mm

Materials
STEEL

Manufacturer correspondence*	
PEUGEOT / CITROËN	694177

* Non contractual information given as indication