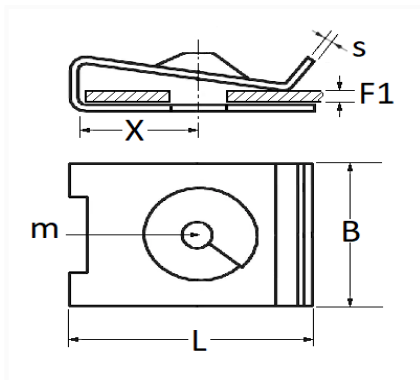


KLEMMOER Ø 3,5 mm



Item code	Number of References	Number of pieces	Conditioning
109	1	25	



Technical informations	
L	11.8 mm
B	9 mm
X	5 mm
s	0.6 mm
F1	2.1 → 2.5 mm
m	Vis à Tôle Ø 3.5 mm

Materials
STAAL

Manufacturer correspondence*			
CITROËN	694350	PEUGEOT	694350

Manufacturer correspondence\*

RENAULT

7703046039

\* Non contractual information given as indication

---