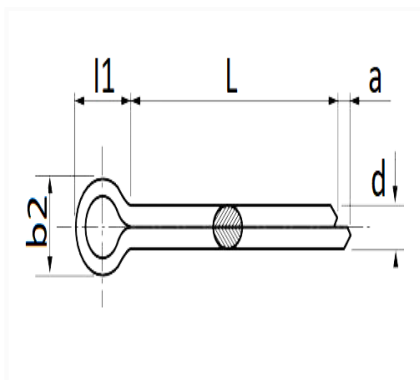


1 Allée des Bouleaux -F-95110 SANNOIS
 +33 (0)1 39 98 55 00
 info@restagraf.com

SPLIT COTTER PIN Ø 4 X 50 mm DIN 94



Item code	Number of References	Number of pieces	Conditioning
907	1	45	BAG
40513	1	150	BOX



Technical informations	
L	48.75 → 51.25 mm
b2	6.5 → 7.4 mm
l1	8 mm
d	3.5 → 3.7 mm
a	2 → 4 mm

Materials
STEEL