

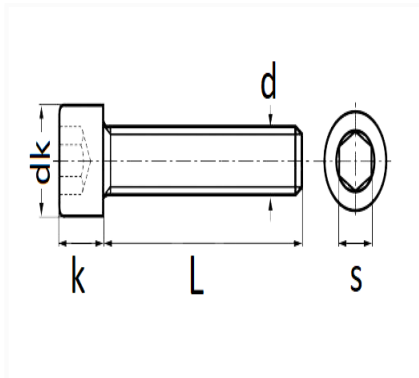


1 Allée des Bouleaux -F-95110 SANNOIS  
 +33 (0)1 39 98 55 00  
 info@restagraf.com

**GRADE 8.8 ZINC PLATED HEXAGON SOCKET HEAD CAP SCREW M6-1.00 X 30 mm DIN 912**



Item code	Number of References	Number of pieces	Conditioning
888	1	20	BAG



Technical informations	
dk	10 mm
k	6 mm
s	5 mm
L	30 mm
d	M6 x 1.00

<b>Materials</b>
CLASS 8.8 STEEL

<b>Manufacturer correspondence*</b>	
PEUGEOT / CITROËN	6913N8

\* Non contractual information given as indication