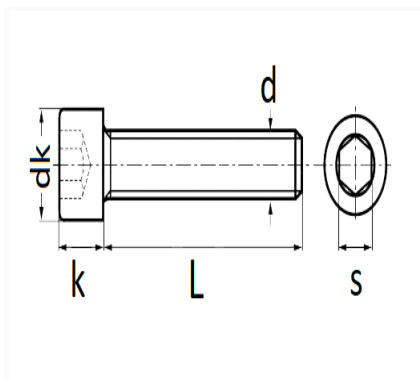


1 Allée des Bouleaux -F-95110 SANNOIS  
 +33 (0)1 39 98 55 00  
 info@restagraf.com

**MASCHINENSCHRAUBE INNENSECHSKANT 8.8 ZN ROH M5-0.80 X 16 mm DIN 912**



Item code	Number of References	Number of pieces	Conditioning
881	1	30	BEUTEL



Technical informations	
dk	8.5 mm
k	5 mm
s	4 mm
L	16 mm
d	M5 x 0.80

Materials
STAHL 8.8