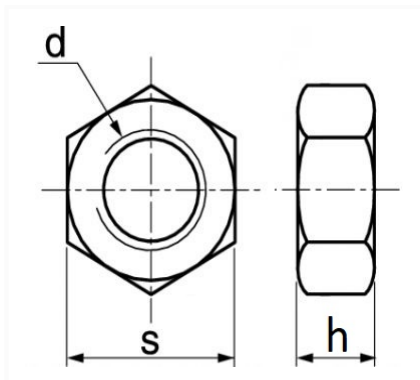


1 Allée des Bouleaux -F-95110 SANNOIS
 +33 (0)1 39 98 55 00
 info@restagraf.com

SECHSKANTMUTTER 8 M16-2.00 DIN 934



Item code	Number of References	Number of pieces	Conditioning
876	1	6	BEUTEL



Technical informations	
s	24 mm
h	14 mm
d	M16 x 2.00

Materials
STAHL 8