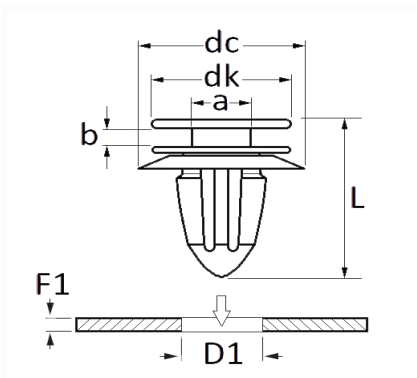


1 Allée des Bouleaux -F-95110 SANNOIS
 +33 (0)1 39 98 55 00
 info@restagraf.com

KLEM VOOR SIERLIJST Ø 9,5 mm FRAMESTIJL



Item code	Number of References	Number of pieces	Conditioning
229842	1	4	
1303	1	8	
42617	1	100	



Technical informations	
dk	10 mm
dc	18 mm
b	2.8 mm
a	6 mm
L	19 mm
D1	9.5 mm
F1	0.8 mm

Materials

POLYACETAAL COPOLYMEER

Manufacturer correspondence*

PEUGEOT / CITROËN

856535

* Non contractual information given as indication