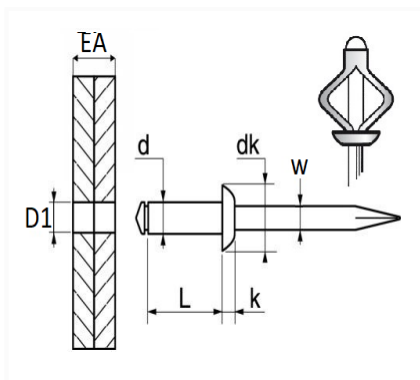


1 Allée des Bouleaux -F-95110 SANNOIS  
 +33 (0)1 39 98 55 00  
 info@restagraf.com

**SPREADING RIVET Ø 4 X 25 mm WITH WHITE CHAPO® FOR NUMBERPLATE**



Item code	Number of References	Number of pieces	Conditioning
228434	2	8	BLISTER
4509	2	300	BOX
4545	2	30	BAG



Technical informations	
d	4 mm
L	25 mm
dk	8 mm
k	1.5 mm
w	2.3 mm
EA	5 → 12 mm
D1	4.2 mm

Materials
ALUMINUM