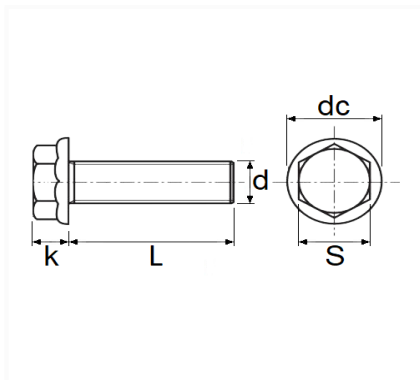


1 Allée des Bouleaux -F-95110 SANNOIS
 +33 (0)1 39 98 55 00
 info@restagraf.com

GRADE 8.8 HEXAGON FLANGE SCREW M8-1.25 X 30 mm DIN 6921



Item code	Number of References	Number of pieces	Conditioning
228311	1	5	BLISTER
7170	1	10	BAG



Technical informations	
s	13 mm
k	8.1 mm
dc	18 mm
L	30 mm
d	M8 x 1.25

Materials
CLASS 8.8 STEEL