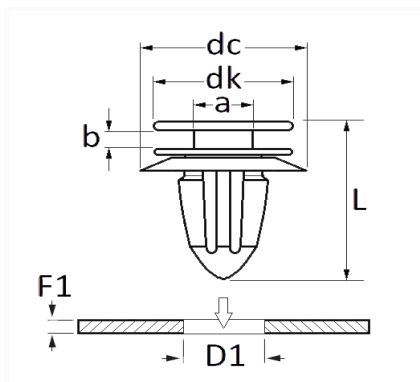


1 Allée des Bouleaux -F-95110 SANNOIS  
 +33 (0)1 39 98 55 00  
 info@restagraf.com

## PANEELBEVESTIGINGSKLEM Ø 8,2 mm



Item code	Number of References	Number of pieces	Conditioning
228086	1	5	
11811	1	12	
42614	1	100	



Technical informations	
dk	13 mm
dc	18.5 mm
b	2.9 mm
a	4.5 mm
L	19.5 mm
D1	8.2 mm
F1	0.7 → 1.5 mm

Materials
POLYACETAAL COPOLYMEER

Manufacturer correspondence*			
DS Automobiles	6991Z1	MINI	51139804996

Manufacturer correspondence*			
OPEL (Stellantis)	6991Z1	PEUGEOT / CITROËN	6991Z1
PEUGEOT / CITROËN	8337FC	RENAULT	8200909084
VERVANGBAAR VOOR VOLVO	30648141		

\* Non contractual information given as indication

---