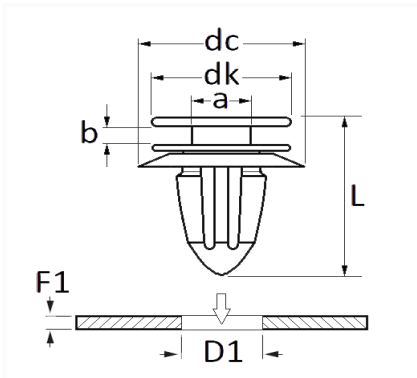


1 Allée des Bouleaux -F-95110 SANNOIS
 +33 (0)1 39 98 55 00
 info@restagraf.com

PLATTENCLIP Ø 8,2 mm



Item code	Number of References	Number of pieces	Conditioning
228084	1	5	BLISTER
11642	1	12	BEUTEL
42613	1	100	BEHÄLTER



Technical informations	
dk	13 mm
dc	18.9 mm
b	2.9 mm
a	4.5 mm
L	18.6 mm
D1	8.2 mm
F1	0.6 → 1.5 mm

Materials
POLYACETAT UND ELASTOMER

Manufacturer correspondence*			
ALTERNATIVE ZU FORD	4860409	ALTERNATIVE ZU FORD	W713489S300

Manufacturer correspondence*			
ALTERNATIVE ZU JAGUAR	C2D3465	ALTERNATIVE ZU JAGUAR	W713489S300
ALTERNATIVE ZU LAND ROVER	LR006101	ALTERNATIVE ZU LAND ROVER	W713489S300
FIAT	51984545	FIAT	6000619555
FIAT	68256273AA	NISSAN	0165800QBL
OPEL (GM) Katalognummer	176073	OPEL (GM) Katalognummer	4401080
OPEL (GM) Katalognummer	4422820	OPEL (GM) Teilenummer	13317099
OPEL (GM) Teilenummer	93453019	OPEL (GM) Teilenummer	95508747
OPEL (GM) Teilenummer	YQ00114280	OPEL (Stellantis)	9341PF
PEUGEOT / CITROËN	1612108380	PEUGEOT / CITROËN	1622750380
PEUGEOT / CITROËN	1684706480	PEUGEOT / CITROËN	9341PF
RENAULT	2D0084806P	RENAULT	7703077469
RENAULT	8201112162	VOLVO	1060449
VOLVO	999341		

* Non contractual information given as indication