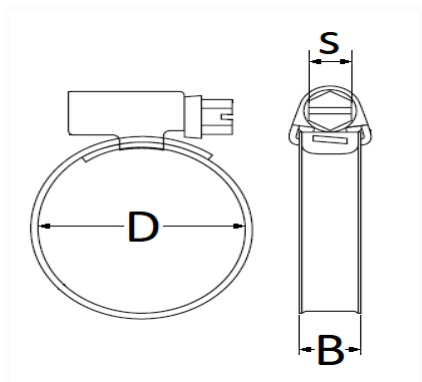


1 Allée des Bouleaux -F-95110 SANNOIS  
 +33 (0)1 39 98 55 00  
 info@restagraf.com

**WORM DRIVE HOSE CLAMP Ø 40 → 60 mm L = 9 mm DIN 3017**



Item code	Number of References	Number of pieces	Conditioning
227554	1	2	BAG
40707	1	20	BOX



Technical informations	
D	40 → 60 mm
B	9 mm
s	7 mm

Materials
CARBON STEEL PLATED W2