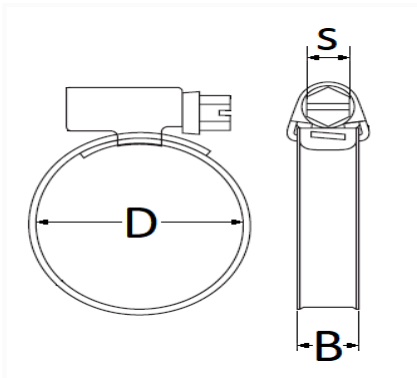


1 Allée des Bouleaux -F-95110 SANNOIS  
 +33 (0)1 39 98 55 00  
 info@restagraf.com

**CONSTANT-TORQUE WORM DRIVE HOSE CLAMP Ø 35 → 50 mm L = 12 mm**



| Item code | Number of References | Number of pieces | Conditioning |
|-----------|----------------------|------------------|--------------|
| 227539    | 1                    | 2                | BAG          |
| 7539      | 1                    | 6                | BAG          |



| Technical informations |            |
|------------------------|------------|
| D                      | 35 → 50 mm |
| B                      | 12 mm      |
| s                      | 7 mm       |
|                        |            |
|                        |            |
|                        |            |
|                        |            |
|                        |            |
|                        |            |
|                        |            |

| Materials                     |
|-------------------------------|
| X6Cr17 1.4016 SYAINLESS STEEL |