

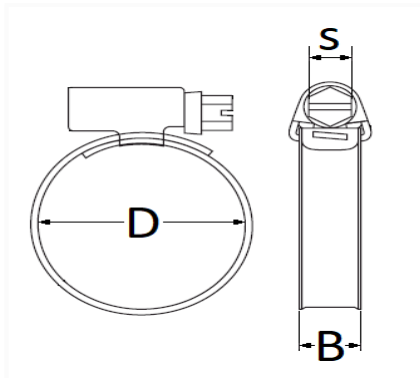


1 Allée des Bouleaux -F-95110 SANNOIS  
 +33 (0)1 39 98 55 00  
 info@restagraf.com

**CONSTANT-TORQUE WORM DRIVE HOSE CLAMP Ø 20 → 32 mm L = 9 mm**



Item code	Number of References	Number of pieces	Conditioning
227535	1	2	BAG
7535	1	6	BAG



Technical informations	
D	20 → 32 mm
B	9 mm
s	7 mm

Materials
X6Cr17 1.4016 SYAINLESS STEEL