

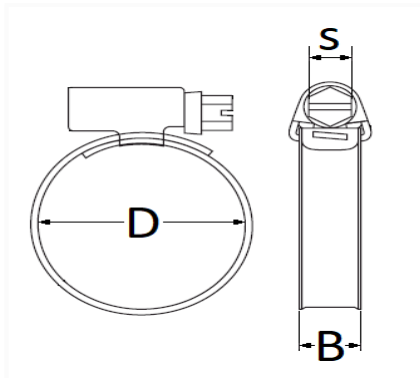


1 Allée des Bouleaux -F-95110 SANNOIS
 +33 (0)1 39 98 55 00
 info@restagraf.com

WORM DRIVE HOSE CLAMP Ø 12 → 22 mm L = 9 mm DIN 3017



Item code	Number of References	Number of pieces	Conditioning
227520	1	2	BAG
7520	1	10	BAG
40702	1	50	BOX



Technical informations	
D	12 → 22 mm
B	9 mm
s	7 mm

Materials
CARBON STEEL PLATED W2