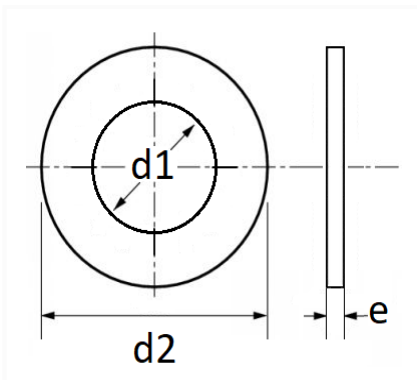


1 Allée des Bouleaux -F-95110 SANNOIS  
 +33 (0)1 39 98 55 00  
 info@restagraf.com

DICHTUNG FÜR ÖLABLASSSTOPFEN Ø 16,2 X 21,9 X 1,5 mm KUPFER FLACH



Item code	Number of References	Number of pieces	Conditioning
227395	1	4	BLISTER
7395	1	10	BEUTEL
40867	1	100	BEHÄLTER



Technical informations	
d1	16.2 mm
d2	21.9 mm
e	1.5 mm

Materials
KUPFER

Manufacturer correspondence*			
ALTERNATIVE ZU CITROËN	221907	ALTERNATIVE ZU PEUGEOT	221907

Manufacturer correspondence*			
ALTERNATIVE ZU SKODA	N0138481	JAGUAR	C22961
NISSAN	0165122164	NISSAN	1102600Q0E
OPEL (GM) Katalognummer	4417401	OPEL (GM) Teilenummer	93190411
RENAULT	7701066506		

\* Non contractual information given as indication

---