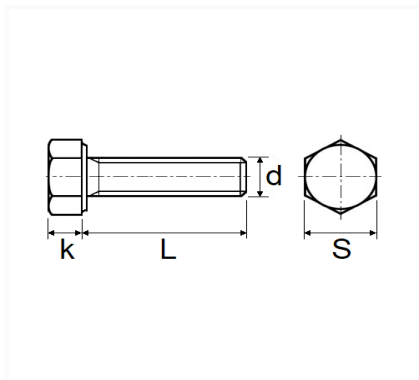


1 Allée des Bouleaux -F-95110 SANNOIS
 +33 (0)1 39 98 55 00
 info@restagraf.com

SCHROEF MET ZESKANTKOP H CL8.8 WIT ZINK M12-1.75 X 60 mm DIN 933



Item code	Number of References	Number of pieces	Conditioning
826	1	14	
7641	1	6	



Technical informations	
s	19 mm
k	8 mm
L	60 mm
d	M12 x 1.75

Materials

STAAL KLASSE 8.8