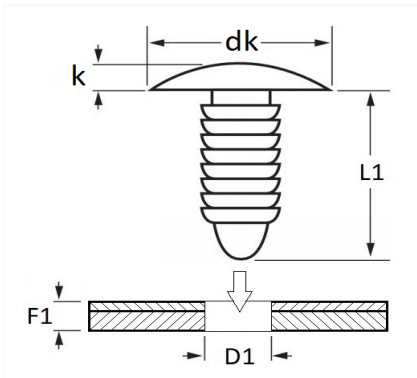


1 Allée des Bouleaux -F-95110 SANNOIS
 +33 (0)1 39 98 55 00
 info@restagraf.com

TRIM CLIP Ø 6,3 → 6,7 mm WHEEL HOUSING COVER



Item code	Number of References	Number of pieces	Conditioning
225001	1	10	BLISTER
10010	1	25	BAG



Technical informations	
dk	17.8 mm
k	2.5 mm
L1	15.5 mm
D1	6.3 → 6.7 mm
F1	2.5 → 8 mm

Materials
POLYAMIDE 66

Manufacturer correspondence*			
CHEVROLET - DAEWOO	94530432	FORD Engineering number	W701259S300

Manufacturer correspondence*			
FORD Finis	6800422	OPEL (GM) Catalog number	4805252
OPEL Part number	94530432	PEUGEOT / CITROËN	7518C0

* Non contractual information given as indication
