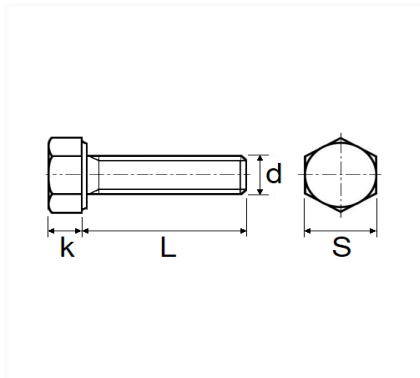


1 Allée des Bouleaux -F-95110 SANNOIS
 +33 (0)1 39 98 55 00
 info@restagraf.com

GRADE 8.8 ZINC PLATED HEXAGON HEAD SCREW M6-1.00 X 20 mm DIN 933



Item code	Number of References	Number of pieces	Conditioning
804	1	45	BAG
40109	1	150	BOX
220804	1	21	BLISTER



Technical informations	
s	10 mm
k	4 mm
L	20 mm
d	M6 x 1.00

Materials
CLASS 8.8 STEEL

Manufacturer correspondence*			
PEUGEOT	699382	PEUGEOT / CITROËN	691792

Manufacturer correspondence*

RENAULT

7703001122

* Non contractual information given as indication
