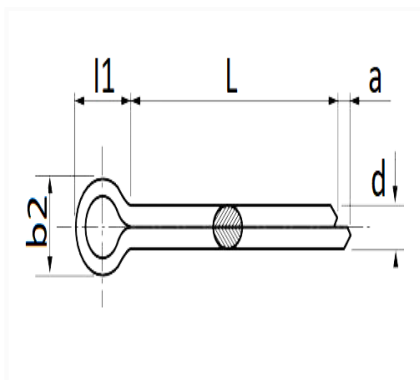


1 Allée des Bouleaux -F-95110 SANNOIS  
 +33 (0)1 39 98 55 00  
 info@restagraf.com

SPLITPEN Ø 3 X 40 mm DIN 94



Item code	Number of References	Number of pieces	Conditioning
220905	1	52	
905	1	90	



Technical informations	
L	38.75 → 41.25 mm
b2	5.1 → 5.8 mm
l1	6.4 mm
d	2.7 → 2.9 mm
a	1.6 → 3.2 mm

Materials
STAAL

Manufacturer correspondence*			
PEUGEOT / CITROËN	696808	PEUGEOT / CITROËN	696828

Manufacturer correspondence\*

RENAULT

1089030402

\* Non contractual information given as indication

---