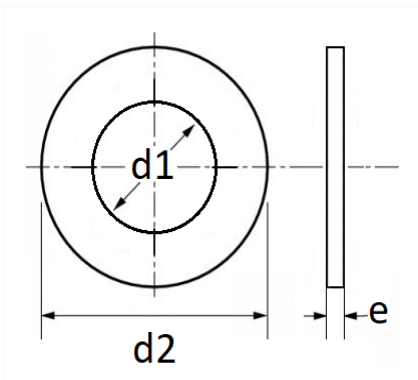


SCHEIBE FLACH Ø 6 X 18 X 1,2 mm



Item code	Number of References	Number of pieces	Conditioning
220512	1	44	BLISTER
512	1	75	BEUTEL



Technical informations	
d1	6.4 mm
d2	18 mm
e	1.2 mm

Materials
STAHL

Manufacturer correspondence*			
FIAT	12643704	PEUGEOT / CITROËN	694780

Manufacturer correspondence*

RENAULT	7703053434	VOLKSWAGEN	N01166619
---------	------------	------------	-----------

* Non contractual information given as indication
