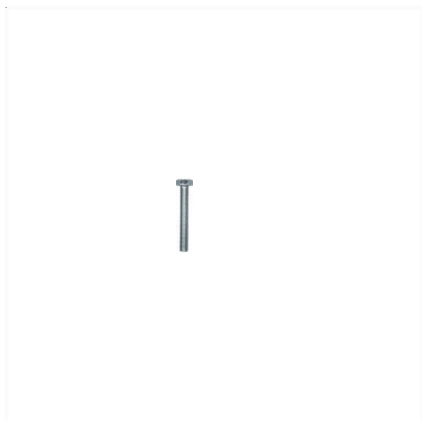
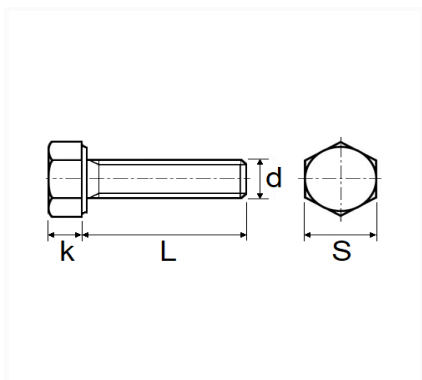


1 Allée des Bouleaux -F-95110 SANNOIS  
 +33 (0)1 39 98 55 00  
 info@restagraf.com

**MASCHINENSCHRAUBE AUßENSECHSKANT 8.8 ZN ROH M7-1.00 X 50 mm DIN 933**



Item code	Number of References	Number of pieces	Conditioning
797	1	25	BEUTEL



Technical informations	
s	11 mm
k	5 mm
L	50 mm
d	M7 x 1.00

Materials
STAHL 8.8

Manufacturer correspondence*	
CITROËN	26211659

\* Non contractual information given as indication