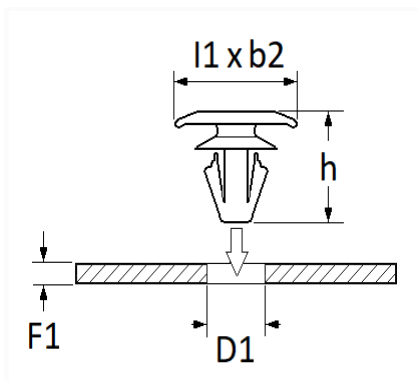


1 Allée des Bouleaux -F-95110 SANNOIS
 +33 (0)1 39 98 55 00
 info@restagraf.com

CLIP FÜR DICHTUNG Ø 5,2 mm UNTERER TÜR FACHSCHUTZ



Item code	Number of References	Number of pieces	Conditioning
130150	1	30	BEUTEL



Technical informations	
l1	14.9 mm
b2	4.9 mm
h	15.2 mm
D1	5.2 mm
F1	0.7 → 1.4 mm

Materials
COPOLYMERES POLYACETAT

Manufacturer correspondence*			
ALTERNATIVE ZU NISSAN	808503TU2A	ALTERNATIVE ZU NISSAN	808504BA0A

Manufacturer correspondence*			
ALTERNATIVE ZU NISSAN	8085089917	ALTERNATIVE ZU NISSAN	8085089919
ALTERNATIVE ZU NISSAN	8085089920	ALTERNATIVE ZU NISSAN	8085089923
ALTERNATIVE ZU NISSAN	8085089924	ALTERNATIVE ZU NISSAN	8085089961
ALTERNATIVE ZU TOYOTA	6786752010	NISSAN	8085089918
TOYOTA	6786712150		

* Non contractual information given as indication
