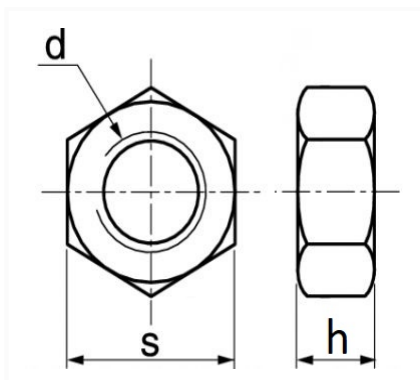


1 Allée des Bouleaux -F-95110 SANNOIS
 +33 (0)1 39 98 55 00
 info@restagraf.com

SECHSKANTMUTTER 8 M3-0.50 DIN 934



Item code	Number of References	Number of pieces	Conditioning
790	1	110	BEUTEL



Technical informations	
s	5.5 mm
h	2.4 mm
d	M3 x 0.50

Materials
STAHL 8