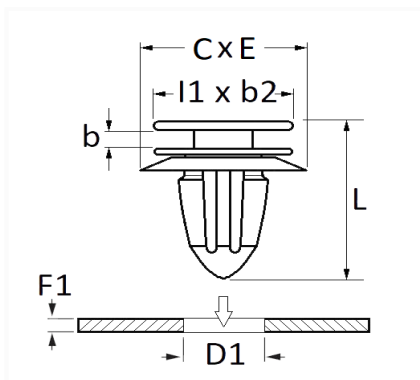


1 Allée des Bouleaux -F-95110 SANNOIS
 +33 (0)1 39 98 55 00
 info@restagraf.com

MOULDING CLIP Ø 8 mm BODY SHELL BELTLINE



Item code	Number of References	Number of pieces	Conditioning
130123	1	16	BAG



Technical informations	
l1	14 mm
b2	10.8 mm
b	1.5 mm
L	18.3 mm
C	20 mm
E	17.8 mm
D1	8 mm
F1	0.7 → 1.2 mm

Materials
POLYACETAL & ELASTOMER

Manufacturer correspondence*	
IVECO	5801720444

* Non contractual information given as indication