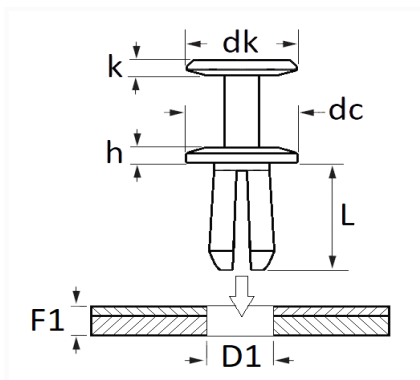


1 Allée des Bouleaux -F-95110 SANNOIS  
 +33 (0)1 39 98 55 00  
 info@restagraf.com

PLASTIC RIVET Ø 8 mm



Item code	Number of References	Number of pieces	Conditioning
42649	1	100	BOX
12549	1	12	BAG



Technical informations	
dk	13 mm
k	1.2 mm
dc	20 mm
h	3.2 mm
L	12 mm
D1	8 mm
F1	1.5 → 6 mm

<b>Materials</b>
POLYACETAL COPOLYMER

Manufacturer correspondence*			
FORD Engineering number	W715256S300	FORD Finis	1723571

Manufacturer correspondence*			
MAZDA	L33X13209	NISSAN	0155305323
NISSAN	0155305933	NISSAN	0155310721
RENAULT	0155305933	RENAULT	769843448R
SUBARU	59114AG000		

\* Non contractual information given as indication

---