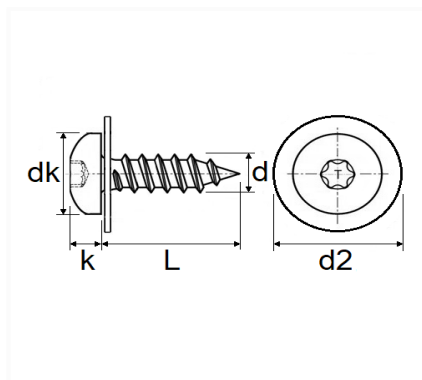


SOFT MATERIAL SCREW Ø 4,5 x 20.5 mm



Item code	Number of References	Number of pieces	Conditioning
42646	1	100	BOX
11514	1	25	BAG
228249	1	4	BLISTER



Technical informations	
dk	9 mm
k	3.6 mm
L	20.5 mm
d	4.5 mm
d2	16 mm
T	X20

Materials
STEEL

Manufacturer correspondence*			
OPEL (GM) Catalog number	3637006	PEUGEOT / CITROËN	6925N0

\*Non contractual information given as indication