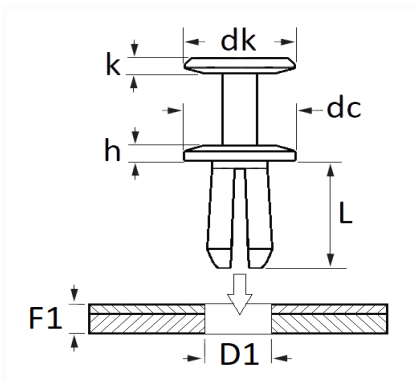


1 Allée des Bouleaux -F-95110 SANNOIS
 +33 (0)1 39 98 55 00
 info@restagraf.com

KUNSTSTOFFNIET Ø 8,2 mm FRONT-/HECKWAND/STOßFÄNGER



Item code	Number of References	Number of pieces	Conditioning
42637	1	100	BEHÄLTER
10185	1	6	BEUTEL



Technical informations	
dk	16 mm
k	1.3 mm
dc	20 mm
h	1.3 mm
L	15 mm
D1	8.2 mm
F1	4.5 → 7 mm

Materials
HD-POLYETHYLEN

Manufacturer correspondence*	
RENAULT	7703072345

* Non contractual information given as indication