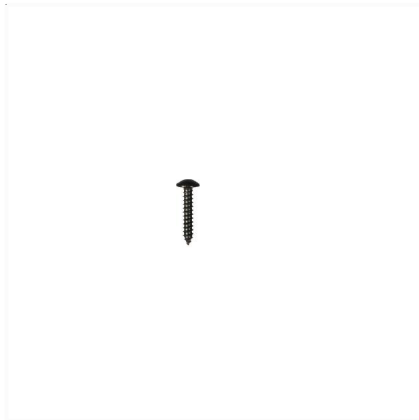
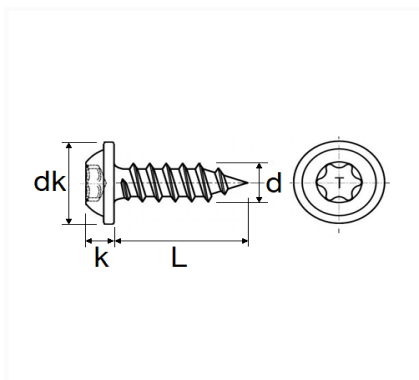


1 Allée des Bouleaux -F-95110 SANNOIS
 +33 (0)1 39 98 55 00
 info@restagraf.com

BLACK ZINC PLATED TRUSS HEAD SELF TAPPING SCREW Ø 3,5 X 19 mm NFE 25-655



Item code	Number of References	Number of pieces	Conditioning
767	1	35	BAG



Technical informations	
dk	8 mm
k	2.2 mm
L	19 mm
d	3.5 mm
T	X10

Materials
STEEL