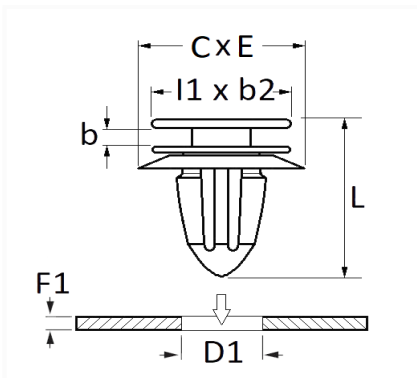


KLEM VOOR SIERLIJST Ø 8 mm FRAMESTIJL



| Item code | Number of References | Number of pieces | Conditioning |
|-----------|----------------------|------------------|--------------|
| 42620 | 1 | 100 | |
| 10757 | 1 | 16 | |
| 228053 | 1 | 5 | |



| Technical informations | |
|------------------------|------------|
| l1 | 12 mm |
| b2 | 10.7 mm |
| b | 1.5 mm |
| L | 17 mm |
| C | 20 mm |
| E | 14.5 mm |
| D1 | 8 mm |
| F1 | 0.7 → 1 mm |
| | |
| | |

Materials

POLYACETAAL EN ELASTOMEER

Manufacturer correspondence*

| | | | |
|------|----------|------|----------|
| FIAT | 71728806 | FIAT | 71728887 |
|------|----------|------|----------|

Manufacturer correspondence*

PEUGEOT / CITROËN

856543

* Non contractual information given as indication
