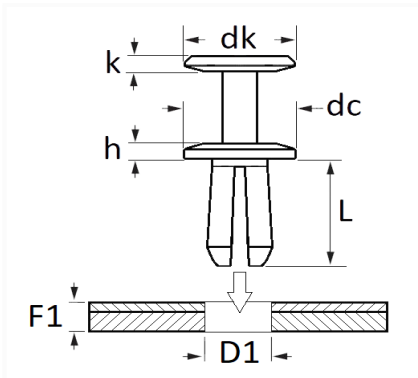


1 Allée des Bouleaux -F-95110 SANNOIS
 +33 (0)1 39 98 55 00
 info@restagraf.com

PLASTIC KLINKNAGEL Ø 8 → 8,2 mm



Item code	Number of References	Number of pieces	Conditioning
42615	1	100	
12130	1	8	
228180	1	4	



Technical informations	
dk	18 mm
k	1.5 mm
dc	18 mm
h	1 mm
L	18 mm
D1	8 → 8.2 mm
F1	1.6 → 8 mm

Materials
POLYACETAAL COPOLYMEER

Manufacturer correspondence*			
MERCEDES-BENZ	A4159910195	NISSAN	0151500Q0C

Manufacturer correspondence*			
OPEL (GM) Catalogusnummer	4451732	OPEL (GM) Onderdeelnummer	93198738
RENAULT	054000001R	RENAULT	8200429215

* Non contractual information given as indication
