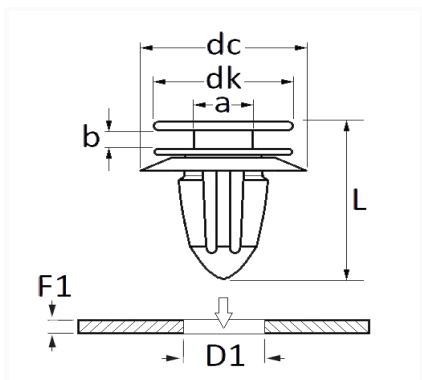


1 Allée des Bouleaux -F-95110 SANNOIS
 +33 (0)1 39 98 55 00
 info@restagraf.com

PANEL CLIP Ø 8,2 mm



Item code	Number of References	Number of pieces	Conditioning
42611	1	100	BOX
10448	1	20	BAG
225014	1	7	BLISTER



Technical informations	
dk	12.5 mm
dc	14.9 mm
b	2.2 mm
a	6 mm
L	14.7 mm
D1	8.2 mm
F1	0.7 → 1.5 mm

Materials
POLYACETAL

Manufacturer correspondence*			
LAND ROVER	DYC101420	LAND ROVER	UH121861BBA

Manufacturer correspondence*			
NISSAN	015530814M	NISSAN	7399800QAB
NISSAN	7689900QAC	OPEL (GM) Catalog number	4414720
OPEL (GM) Catalog number	4430858	OPEL (GM) Catalog number	4501569
OPEL Part number	9161869	OPEL Part number	93161475
OPEL Part number	93176656	RENAULT	5001855049
RENAULT	7701050734		

* Non contractual information given as indication
