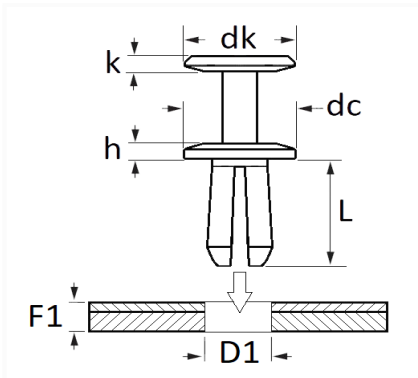


1 Allée des Bouleaux -F-95110 SANNOIS
 +33 (0)1 39 98 55 00
 info@restagraf.com

KUNSTSTOFFNIET Ø 6,5 mm



Item code	Number of References	Number of pieces	Conditioning
42603	1	100	BEHÄLTER
9703	1	8	BEUTEL
229703	1	4	BLISTER



Technical informations	
dk	12 mm
k	1.5 mm
dc	22 mm
h	1.5 mm
L	13.8 mm
D1	6.5 mm
F1	3.8 → 6 mm

Materials
POLYAMID 6

Manufacturer correspondence*			
OPEL (Stellantis)	3636751	PEUGEOT / CITROËN	699783

Manufacturer correspondence*

PEUGEOT / CITROËN

6997T2

* Non contractual information given as indication
