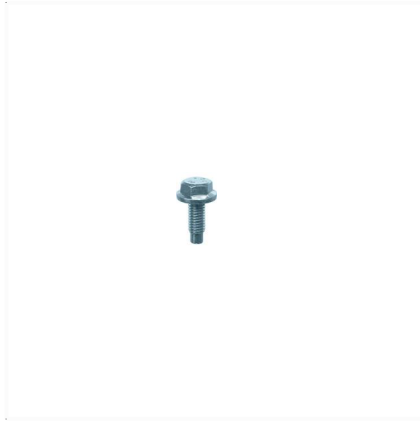
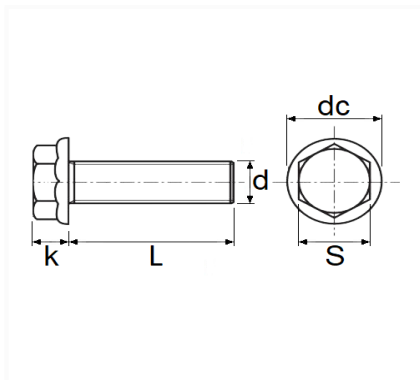


1 Allée des Bouleaux -F-95110 SANNOIS  
 +33 (0)1 39 98 55 00  
 info@restagraf.com

SCHRAUBE AUßENSECHSKANT MIT FLANSCH M6-1.00 X 16 mm



Item code	Number of References	Number of pieces	Conditioning
763	1	50	BEUTEL



Technical informations	
s	10 mm
k	6.5 mm
dc	13.9 mm
L	16 mm
d	M6 x 1.00

Materials
STAHL

Manufacturer correspondence*			
NISSAN	0112100Q9J	NISSAN	0112500QAR

Manufacturer correspondence*			
NISSAN	0112500QAS	NISSAN	01125N6011
NISSAN	01125N6061	NISSAN	01125S616E
NISSAN	01456S602E	NISSAN	0146100Q0G
RENAULT	7703002020	RENAULT	7703002929

\* Non contractual information given as indication

---