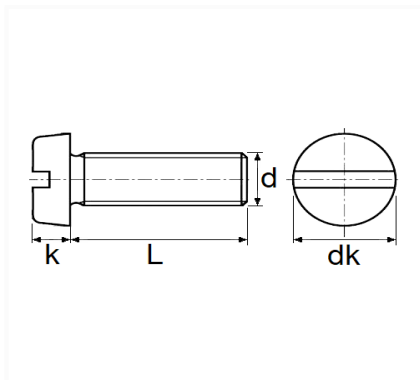


METALEN GLEUFSCHROEF M5-0.80 X 25 mm DIN 84



Item code	Number of References	Number of pieces	Conditioning
757	1	55	



Technical informations	
dk	8.5 mm
k	3.3 mm
L	25 mm
d	M5 x 0.80

Materials
STAAL