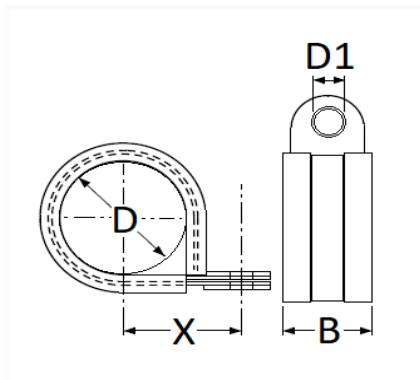


1 Allée des Bouleaux -F-95110 SANNOIS  
 +33 (0)1 39 98 55 00  
 info@restagraf.com

RUBBER INSULATED CABLE CLAMP Ø 20 mm DIN 3016



Item code	Number of References	Number of pieces	Conditioning
40733	1	15	BOX
7494	1	4	BAG



Technical informations	
D	20 mm
X	21.2 mm
D1	6.5 mm
B	15 mm

Materials
STAINLESS STEEL