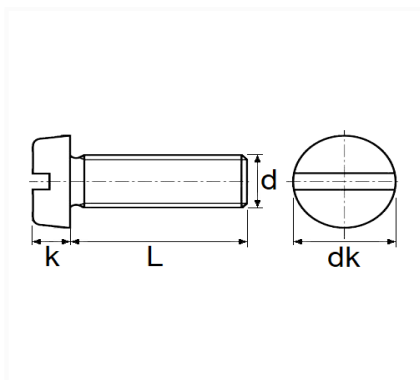


1 Allée des Bouleaux -F-95110 SANNOIS
 +33 (0)1 39 98 55 00
 info@restagraf.com

METALEN GLEUFSCHROEF M4-0.70 X 10 mm DIN 84



Item code	Number of References	Number of pieces	Conditioning
753	1	110	



Technical informations	
dk	7 mm
k	2.6 mm
L	10 mm
d	M4 x 0.70

Materials
STAAL