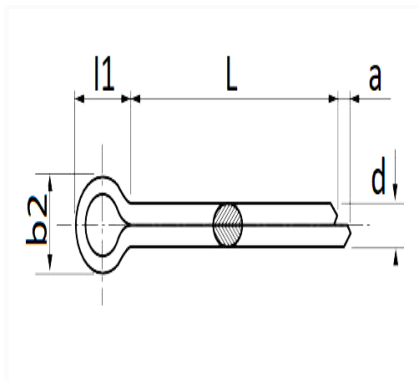


1 Allée des Bouleaux -F-95110 SANNOIS  
 +33 (0)1 39 98 55 00  
 info@restagraf.com

### SPLIT COTTER PIN Ø 4 X 50 mm DIN 94



Item code	Number of References	Number of pieces	Conditioning
40513	1	150	BOX
907	1	45	BAG



Technical informations	
L	48.75 → 51.25 mm
b2	6.5 → 7.4 mm
l1	8 mm
d	3.5 → 3.7 mm
a	2 → 4 mm

Materials
STEEL